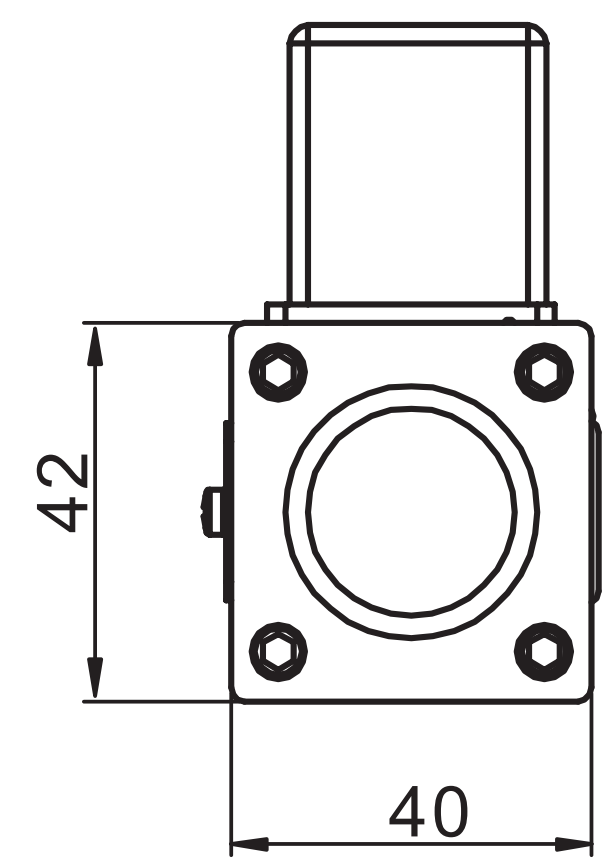
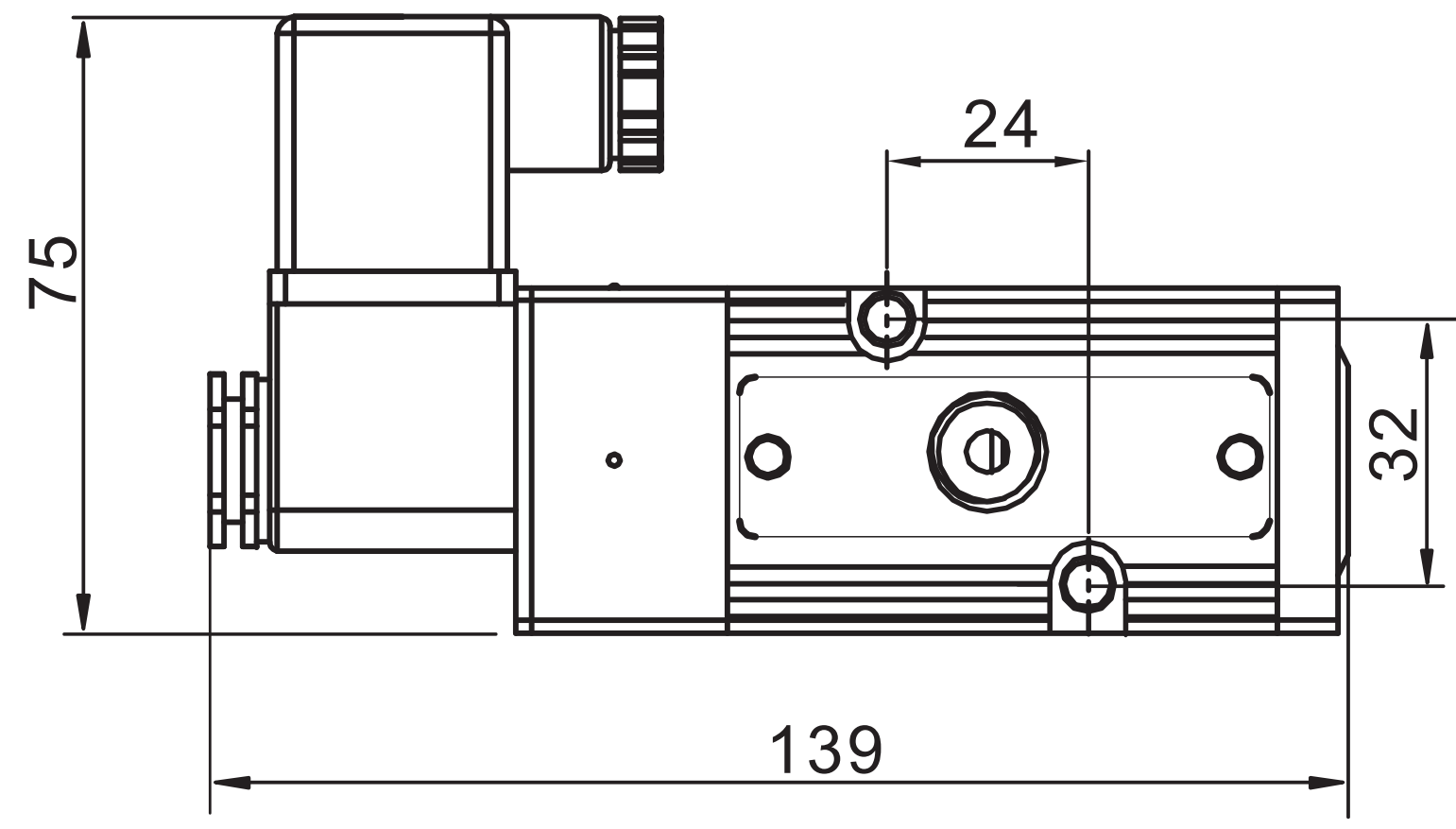


REV.NO.	REVISION DESCRIPTION	DRAWN / DATE	REVIEWED / DATE	APPROVED / DATE
△1	ISSUE FOR APPROVAL	HSS/071218	JCS/071218	LYH/071218
△1				



SURFACE TEXTURE	PRODUCT NAME	MORC CONTROLS LTD.	
FINISH TREATMENT	MODEL	MC50-N	
MATERIAL	PROJECTION	SCALE	TITLE Solenoid Valve
OTHERWISE NOTE	GENERAL TOLERANCE	QUANTITY	
		3rd	1 / 1
		1	SHEET No. 1 / 1
			DRAWING NO. MC50-N
			REV. 0